

## Slides DS 0330, Width 19.1 mm, to 80 kg, Stainless Steel, Full Extension

### Material:

Stainless steel 1.4301.



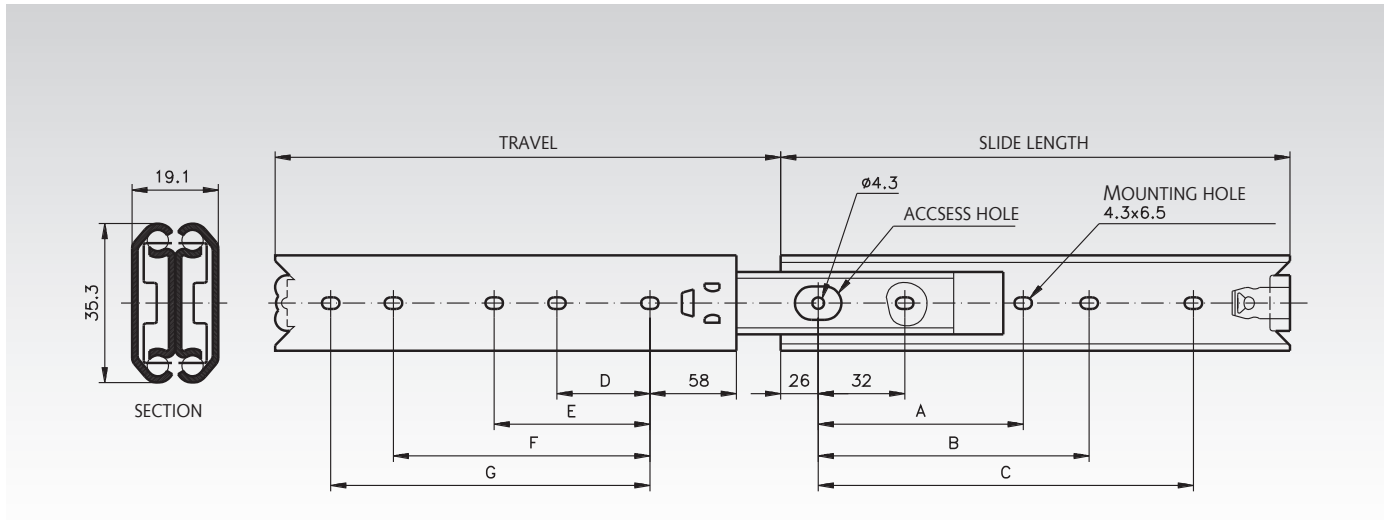
Telescopic ball bearing slides for applications in the industrial and electronics sector.

- Hold-in in closed position.
- Can be mounted on both sides.
- Service life 10,000 / 80,000 cycles.
- Temperature range: -20°C to +70°C.



Accuride

Ordering details: e.g.: Prod. No. 649 446 30, Slides DS 0330



Product No. per Pair	Slide Length mm	Travel +/-3.2 mm	A mm	B mm	C mm	D mm	E mm	F mm	G mm	Load Rating <sup>1)</sup> per Pair kg	Weight per Pair kg
649 446 30	300	305	-	192	242	-	-	192	224	65 / 50	1,08
649 446 35	350	354	-	224	256	-	-	224	256	70 / 55	1,29
649 446 40	400	403	-	192	320	160	-	288	320	75 / 60	1,48
649 446 45	450	452	-	224	352	192	-	320	352	80 / 65	1,66
649 446 50	500	501	256	288	416	224	256	384	416	75 / 57	1,86
649 446 55	550	550	288	320	480	256	288	416	448	70 / 50	2,07
649 446 60	600	600	320	352	512	288	320	480	512	65 / 45	2,26
649 446 70	700	698	352	384	608	320	352	576	608	55 / 30	2,67

<sup>1)</sup> At 10,000 / 80,000 cycles.

### Note

Recommended mounts: M4 screw.  
Use all mounting positions to achieve the max. load rating.