

Worm Gear Units G/II

General data: **Version A:** Centre distance 31 mm.
Version B: Centre distance 33 mm.

Housing: Aluminium permanent-mould casting, fully sealed against oil leaks and protected against dust, can be mounted in any position.

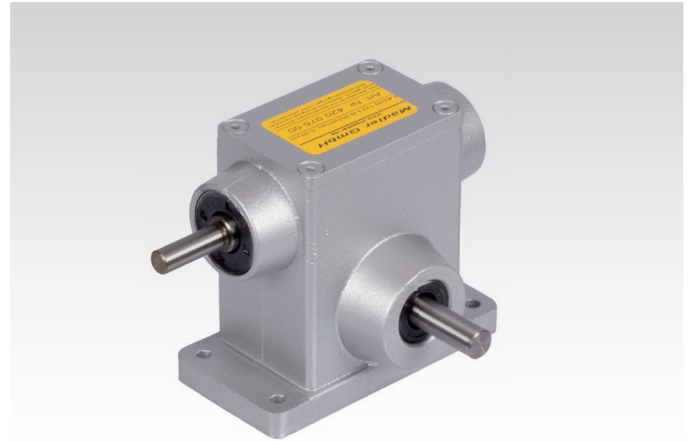
Gear set: Worms hardened and ground, worm gears made from special bronze.

Bearing System: Input and output shaft with roller bearing.

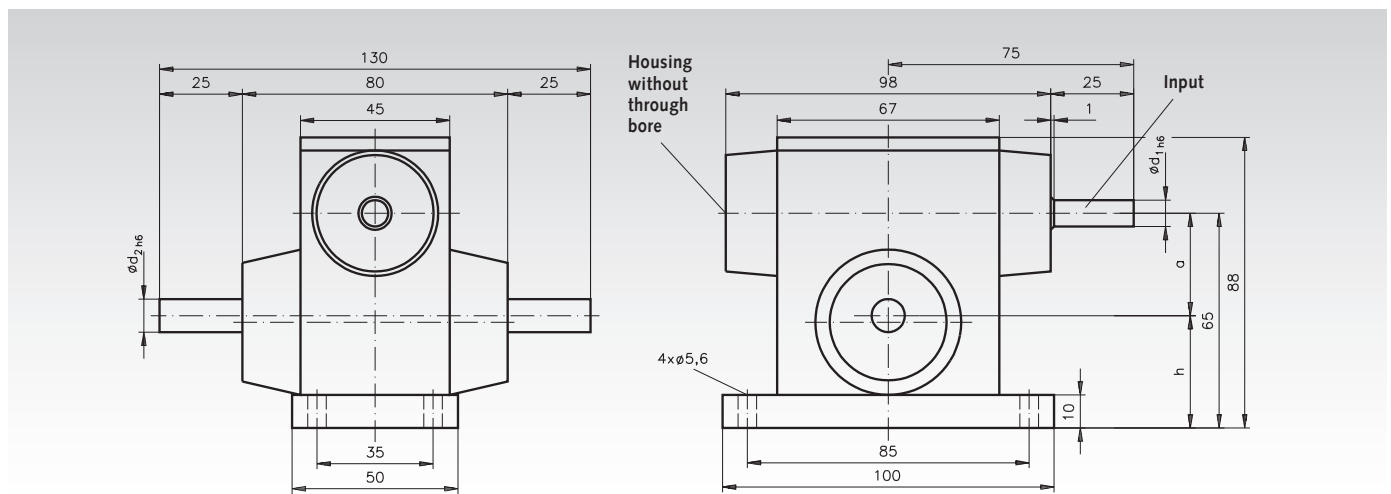
Lubrication: As a special gearbox oil has been used, in most applications no relubrication or change is required.

Input shaft is the smaller shaft d_1 .

The permiss. output torque refers to shaft d_2 .



Ordering details: e.g.: Type, Version, Ratio, Product No.



Version A (Load Bearing Capacity of the Output Shaft Radial = 100 N, Axial = 60 N)

Product No.	Ratio i	Centre Distance a mm	d_1 mm	d_2 mm	h mm	max. Output Torque Nm	Weight kg
420 005 00	5 : 1	31	8	10	34	10	1,05
420 007 00	7 : 1	31	8	10	34	10	1,05
420 010 00	10 : 1	31	8	10	34	10	1,05
420 012 00	12 : 1	31	8	10	34	12	1,05
420 015 00	15 : 1	31	8	10	34	11	1,05
420 018 00	18 : 1	31	8	10	34	10	1,05
420 020 00	20 : 1	31	8	10	34	10	1,05
420 024 00	24 : 1	31	8	10	34	9	1,05
420 030 00	30 : 1	31	8	10	34	10	1,05
420 038 00	38 : 1	31	8	10	34	11	1,05
420 050 00	50 : 1	31	8	10	34	9	1,05
420 075 00	75 : 1	31	8	10	34	7	1,05

Version B (Load Bearing Capacity of the Output Shaft Radial = 150 N, Axial = 100 N)

Product No.	Ratio i	Centre Distance a mm	d_1 mm	d_2 mm	h mm	max. Output Torque Nm	Weight kg
420 107 00	7 : 1	33	10	12	32	12	1,15
420 111 00	11,33 : 1	33	10	12	32	13	1,15
420 115 00	15 : 1	33	10	12	32	13	1,15
420 117 00	17 : 1	33	10	12	32	14	1,15
420 120 00	20 : 1	33	10	12	32	13	1,15
420 124 00	24 : 1	33	10	12	32	13	1,15
420 130 00	30 : 1	33	10	12	32	13	1,15
420 132 00	32 : 1	33	10	12	32	14	1,15
420 138 00	38 : 1	33	10	12	32	14	1,15
420 156 00	56 : 1	33	10	12	32	10	1,15
420 175 00	75 : 1	33	10	12	32	9	1,15

All shaft diameters with tolerance h6.

Dimensions without stated tolerance are non binding.