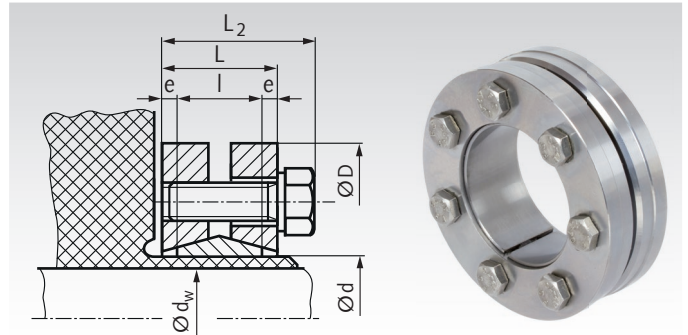


Shrink Disks ST-R, Stainless

Material: Stainless steel 1.4057.



- For medium torques.
- No axial shaft-hub movement.
- Quick mounting.
- Quick demounting.
- Not self-centering.
- Concentricity 0.02-0.04 mm.



Ordering Details: e.g.: Product No. 615 998 14, Shrink Disk ST-R, Inner-Ø 14 mm

Product No.	Inner-Ø d mm	Shaft-Ø ¹⁾ d _w mm	Torque ²⁾ T Nm	D mm	L mm	L ₂ mm	l mm	e mm	Fit tol. max. mm	Screws ISO 4017 No. x Size	Fastening Torque T _A Nm	Contact- pressure P _w N/mm ²	Weight kg
615 998 14	14	10	32	38	15	18,5	10	2,5	0,014	4 x M5 x 12	2,4	123	0,10
		11	40									153	
		12	52									194	
615 998 16	16	12	52	41	17	20,5	12	2,5	0,014	5 x M5 x 16	2,4	86	0,14
		13	64									121	
		14	76									152	
615 998 20	20	15	88	46	17	20,5	12	2,5	0,017	5 x M5 x 16	3,2	164	0,17
		16	104									186	
		17	120									206	
615 998 24	24	19	176	50	20	23,5	14	3	0,017	6 x M5 x 18	4	151	0,22
		20	224									167	
		21	264									182	
615 998 30	30	24	280	60	22	25,5	16	3	0,017	7 x M5 x 18	4	127	0,33
		25	320									138	
		26	376									147	
615 998 36	36	28	584	72	23,5	27,5	18	2,75	0,032	5 x M6 x 20	9,6	186	0,52
		30	688									192	
		31	704									200	
615 998 40	40	30	616	72	24,5	28,5	19	2,75	0,032	6 x M6 x 20	9,6	173	0,50
		31	640									178	
		32	660									184	
615 998 44	44	32	960	80	25,5	29,5	20	2,75	0,032	7 x M6 x 20	9,6	180	0,64
		35	1120									188	
		36	1200									195	
615 998 50	50	38	1200	90	27,5	31,5	22	2,75	0,032	8 x M6 x 25	9,6	163	0,87
		40	1440									175	
		42	1680									186	
615 998 55	55	42	1360	100	30,5	34,5	23	3,75	0,032	8 x M6 x 25	9,6	141	1,18
		45	1680									154	
		48	2080									168	
615 998 62	62	48	2160	110	30,5	34,5	23	3,75	0,048	10 x M6 x 25	9,6	170	1,41
		50	2400									174	
		52	2560									178	
615 998 68	68	50	2000	115	30,5	34,5	23	3,75	0,048	10 x M6 x 25	9,6	147	1,46
		55	2480									150	
		60	3280									170	

¹⁾ Shaft-Ø of the customer's machine (for example). ²⁾ Transmittable values with shaft-Ø d_w of the customer's machine, if the fit tolerance is complied.

More sizes up to inner-Ø d=280mm, for shaft diameter 230mm and 260,000Nm are available on request.

Surface Roughness, Tolerances and Mounting

Roughness: max, R_Z=16 µm. Outer-Ø tolerance of hub = H9.
Recommended tolerances for hub bore / shaft diameter:
from d_w Ø 30 = H6/j6; Ø 31-50 = H6/h6; Ø 51-65 = H6/g6.

It is essential to degrease the contact surfaces of shaft and hub bore. Lubricate only the shrink disk and the screws with MoS₂ and place it on the hub. Turn in the screws evenly by hand.

Fasten the tensioning screws evenly, in sequence (not crossing over) until the fastening torque T_A of the table is reached. To reach the value of T_A, several fastening steps are required. The figures for T stated in the table were calculated for a lubricated shrink disk.