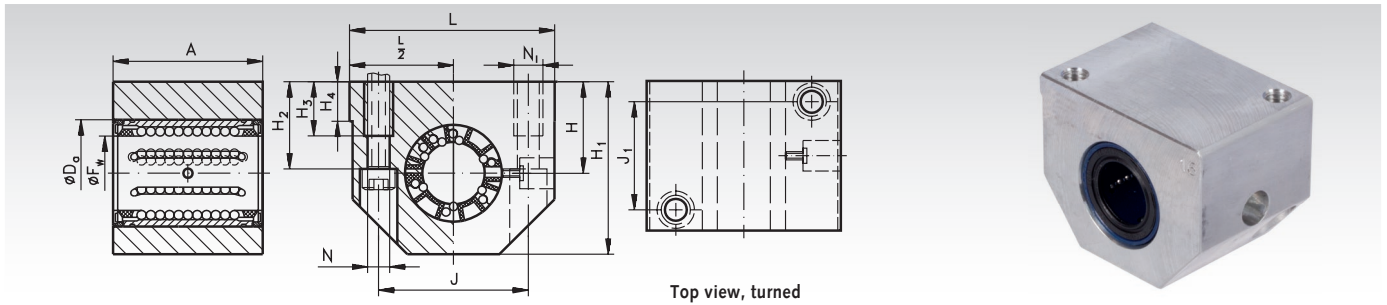


## Linear Bearings Units KG-3 ISO Series 3, with Linear Bearing of Closed Design



Top view, turned

**Material:** Housing made from extruded aluminium with a closed linear bearing of the ISO Series 3 from premium brand in top quality. With self-aligning capability that accommodates tilting.

All bearings are lubricated ready-to-install.  
Recommended shaft tolerance h6.  
Spare linear bearing page 478.

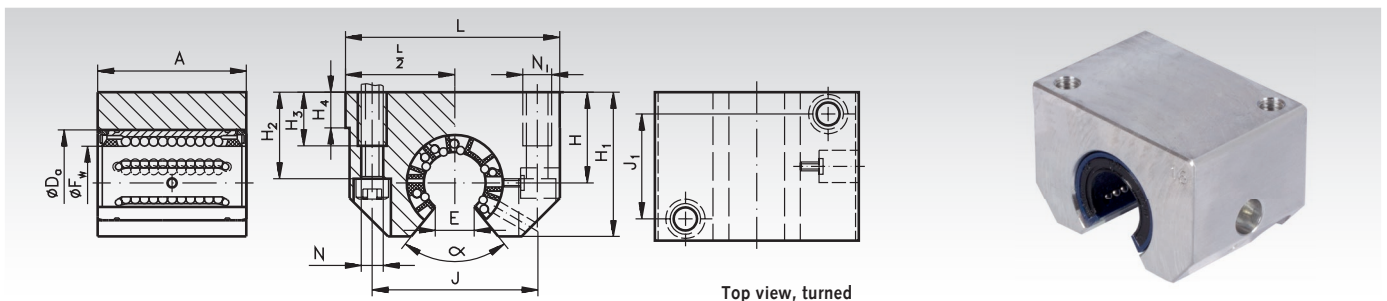
Ordering Details: e.g.: Product No. 646 712 00, Linear Bearings Unit KG-3, Internal Ø 12 mm

Product No. Closed	F <sub>w</sub> mm	A mm	D <sub>a</sub> mm	H <sup>±0.02</sup> mm	H <sub>1</sub> mm	H <sub>2</sub> mm	H <sub>3</sub> mm	H <sub>4</sub> mm	J mm	J <sub>1</sub> mm	L mm	N mm	N <sub>1</sub> * mm	Load Rating		Weight g
														dyn. C N	stat. C <sub>0</sub> N	
646 712 00	12	32	22	18	35	16,5	11	6	32	23	43	4,3	M5	1080	815	93
646 716 00	16	37	26	22	42	21	13	7	40	26	53	5,3	M6	1320	865	161
646 720 00	20	45	32	25	50	24	18	7,5	45	32	60	6,6	M8	2000	1370	225
646 725 00	25	58	40	30	61	29	22	8,5	60	40	78	8,4	M10	2900	2040	533
646 730 00	30	68	47	35	70	34	22	9,5	68	45	87	8,4	M10	4650	3250	790
646 740 00	40	80	62	45	90	44	26	11	86	58	108	10,5	M12	7800	5200	1440
646 750 00	50	100	75	50	105	49	35	11	108	50	132	13,5	M16	11200	6950	2470

\* When mounting from the bottom side choose the next smaller screw size.

Shaft steel page 466. Shaft blocks page 475.

## Linear Bearings Units KG-3-O ISO Series 3, with Linear Bearing of Open Design



Top view, turned

**Material:** Housing made from extruded aluminium with an open linear bearing of the ISO Series 3 from premium brand in top quality. With self-aligning capability that accommodates tilting, adjustable clearance and double-lip seals.

All bearings are lubricated ready-to-install.  
Recommended shaft tolerance h6.  
Spare linear bearing page 478.

Ordering Details: e.g.: Product No. 646 712 01, Linear Bearings Unit KG-3-O, Internal Ø 12 mm

Product No. Open	F <sub>w</sub> mm	A mm	D <sub>a</sub> mm	H <sup>±0.02</sup> mm	H <sub>1</sub> mm	H <sub>2</sub> mm	H <sub>3</sub> mm	H <sub>4</sub> mm	J mm	J <sub>1</sub> mm	L mm	N mm	N <sub>1</sub> * mm	E mm	α Degrees	Load Rating		Weight g
																dyn. C N	stat. C <sub>0</sub> N	
646 712 01	12	32	22	18	28	16,5	11	6	32	23	43	4,3	M5	7,6	78	1080	815	74
646 716 01	16	37	26	22	35	21	13	7	40	26	53	5,3	M6	10,4	78	1320	865	132
646 720 01	20	45	32	25	42	24	18	7,5	45	32	60	6,6	M8	10,8	60	2000	1370	215
646 725 01	25	58	40	30	51	29	22	8,5	60	40	78	8,4	M10	13,2	60	2900	2040	443
646 730 01	30	68	47	35	60	34	22	9,5	68	45	87	8,4	M10	14,2	50	4650	3250	670
646 740 01	40	80	62	45	77	44	26	11	86	58	108	10,5	M12	18,7	50	7800	5200	1210
646 750 01	50	100	75	50	88	49	35	11	108	50	132	13,5	M16	23,6	50	11200	6950	2020

\* When mounting from the bottom side choose the next smaller screw size.

Shaft steel with shaft support page 467.