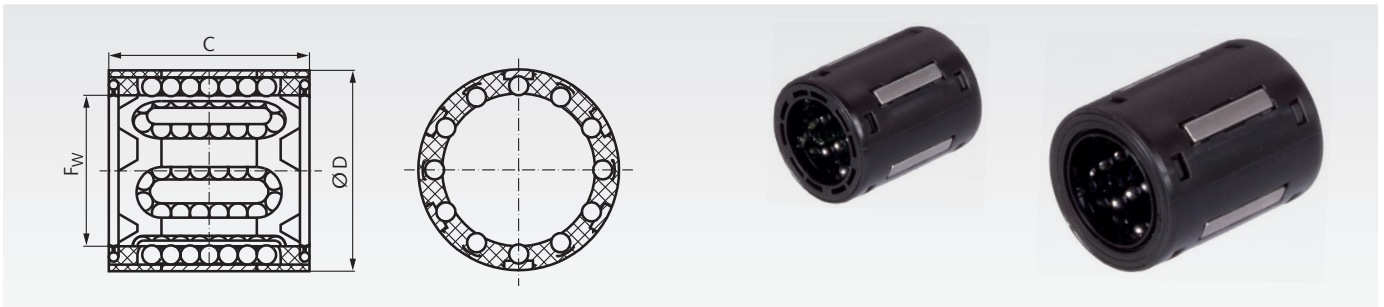


## Linear Bearings KB-1 ISO Series 1, Stainless



Stainless linear bearings Series 1 of ISO standard 10285 from premium brand in top quality.

Especially compact dimensions enable a space-saving and cost efficient linear support. Easy to mount and provide automatic retention in the mounting bore. I.e., if the boring in the housing

is exact, the bearing does not to be secured axially. Either with integral double-lip seal or with shields. Bearings up to FW 5mm must be lubricated before use.

All other bearings are lubricated ready-to-install.

Recommended shaft tolerance h6, housing tolerance H6 or JS6.

Ordering Details: e.g.: Product No. 646 998 03, Linear Bearing KB-1, Internal Ø 3 mm, with Shields, stainless

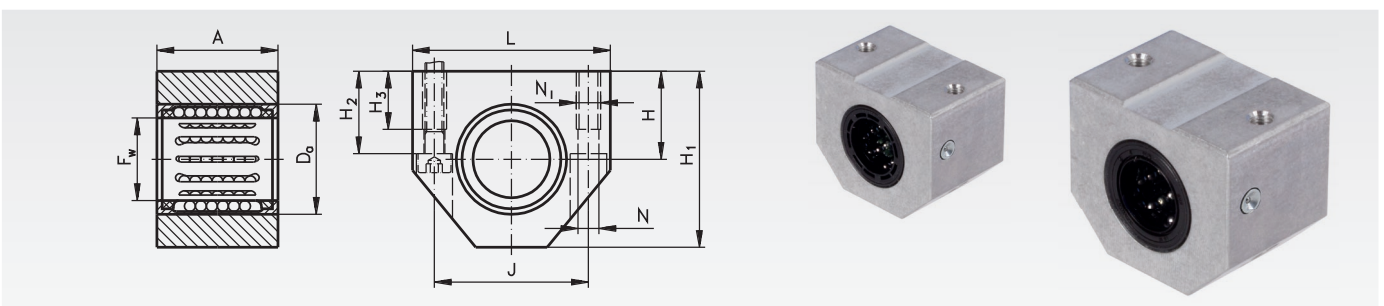
| Product No. with Shields | Product No. with Seals | F <sub>w</sub> | D  | C  | Number of Rows of Balls | Load Rating*<br>dyn. C<br>N | stat. C <sub>0</sub><br>N | Weight<br>g |
|--------------------------|------------------------|----------------|----|----|-------------------------|-----------------------------|---------------------------|-------------|
|                          |                        | mm             | mm | mm |                         |                             |                           |             |
| 646 998 03               | 646 999 03             | 3              | 7  | 10 | 4                       | 49                          | 40                        | 0,7         |
| 646 998 04               | 646 999 04             | 4              | 8  | 12 | 4                       | 62                          | 55                        | 1           |
| 646 998 05               | 646 999 05             | 5              | 10 | 15 | 4                       | 139                         | 119                       | 2           |
| 646 998 06               | 646 999 06             | 6              | 12 | 22 | 4                       | 275                         | 248                       | 6           |
| 646 998 08               | 646 999 08             | 8              | 15 | 24 | 4                       | 402                         | 327                       | 7           |
| 646 998 10               | 646 999 10             | 10             | 17 | 26 | 5                       | 480                         | 382                       | 11          |
| 646 998 12               | 646 999 12             | 12             | 19 | 28 | 5                       | 570                         | 469                       | 12          |
| 646 998 14               | 646 999 14             | 14             | 21 | 28 | 5                       | 582                         | 488                       | 14          |
| 646 998 16               | 646 999 16             | 16             | 24 | 30 | 5                       | 763                         | 580                       | 18          |
| 646 998 20               | 646 999 20             | 20             | 28 | 30 | 6                       | 951                         | 736                       | 21          |
| 646 998 25               | 646 999 25             | 25             | 35 | 40 | 7                       | 1738                        | 1435                      | 47          |
| 646 998 30               | 646 999 30             | 30             | 40 | 50 | 8                       | 2583                        | 2484                      | 70          |
| 646 998 40               | 646 999 40             | 40             | 52 | 60 | 8                       | 4510                        | 4140                      | 130         |
| 646 998 50               | 646 999 50             | 50             | 62 | 70 | 9                       | 5699                        | 5796                      | 180         |

\* On stainless shafts X90.



Shaft steel page 466.  
Shaft blocks page 468.

## Linear Bearings Units KG-1 ISO Series 1, with a Linear Bearing, Stainless



**Material:** Housing made from extruded aluminium with a stainless linear bearing of the ISO Series 1 from premium brand in top quality.

**With integral double-lip seal or with shields.**

All bearings are lubricated ready-to-install.

Recommended shaft tolerance h6.



Ordering Details: e.g.: Product No. 646 995 06, Linear Bearings Unit KG-1, Internal Ø 6 mm, with Shields, stainless

| Product No. with Shields | Product No. with Seals | F <sub>w</sub> | A    | D <sub>a</sub> | H±0.02 | H <sub>1</sub> | H <sub>2</sub> | H <sub>3</sub> | L    | J    | N    | N <sub>1</sub> * | Load Rating*<br>dyn.C<br>N | stat.C <sub>0</sub><br>N | Weight<br>g | Spare Linear Bearings<br>with<br>Shields | with<br>Seal |
|--------------------------|------------------------|----------------|------|----------------|--------|----------------|----------------|----------------|------|------|------|------------------|----------------------------|--------------------------|-------------|--|--------------|
| 646 995 06               | 646 996 06             | 6              | 22** | 12             | 13**   | 27**           | 13             | 9              | 32   | 23** | 3,4  | M4               | 275                        | 248                      | 50          | 646 998 06                               | 646 999 06   |
| 646 995 08               | 646 996 08             | 8              | 24   | 15             | 14**   | 27             | 13             | 9              | 32   | 23** | 3,4  | M4               | 402                        | 327                      | 50          | 646 998 08                               | 646 999 08   |
| 646 995 10               | 646 996 10             | 10             | 26   | 17             | 16     | 33**           | 16             | 11             | 40** | 29** | 4,3  | M5               | 480                        | 382                      | 80          | 646 998 10                               | 646 999 10   |
| 646 995 12               | 646 996 12             | 12             | 28   | 19             | 17     | 33             | 16             | 11             | 40   | 29   | 4,3  | M5               | 570                        | 469                      | 90          | 646 998 12                               | 646 999 12   |
| 646 995 14               | 646 996 14             | 14             | 28   | 21             | 18     | 36,5           | 18             | 11             | 43   | 34   | 4,3  | M5               | 582                        | 488                      | 100         | 646 998 14                               | 646 999 14   |
| 646 995 16               | 646 996 16             | 16             | 30   | 24             | 19     | 38             | 18             | 11             | 45   | 34   | 4,3  | M5               | 763                        | 580                      | 100         | 646 998 16                               | 646 999 16   |
| 646 995 20               | 646 996 20             | 20             | 30   | 28             | 23     | 45             | 22             | 13             | 53   | 40   | 5,3  | M6               | 951                        | 736                      | 140         | 646 998 20                               | 646 999 20   |
| 646 995 25               | 646 996 25             | 25             | 40   | 35             | 27     | 54             | 26             | 18             | 62   | 48   | 6,6  | M8               | 1738                       | 1435                     | 250         | 646 998 25                               | 646 999 25   |
| 646 995 30               | 646 996 30             | 30             | 50   | 40             | 30     | 60             | 29             | 18             | 67   | 53   | 6,6  | M8               | 2583                       | 2484                     | 370         | 646 998 30                               | 646 999 30   |
| 646 995 40               | 646 996 40             | 40             | 60   | 52             | 39     | 76             | 38             | 22             | 87   | 69   | 8,4  | M10              | 4510                       | 4140                     | 740         | 646 998 40                               | 646 999 40   |
| 646 995 50               | 646 996 50             | 50             | 70   | 62             | 47     | 92             | 46             | 26             | 103  | 82   | 10,5 | M12              | 5699                       | 5796                     | 1190        | 646 998 50                               | 646 999 50   |

\* When mounting from the bottom side choose the next smaller screw size.

\*\* Dimension not in accordance with DIN ISO 13012-1.

Shaft steel page 466. Shaft blocks page 468.

