

Planetary Small Geared Motor SFP with DC Motor, Size 3

Housing: Motor: Steel, zinc-plated. Gearbox: made of plastic.
Can be mounted in any position.

Teeth: Gear set made from plastic.

Bearing: Output side, plain bearing, motor side A, ball bearing.
motor side B, plain bearing.

Lubrication: Maintenance free grease lubrication.

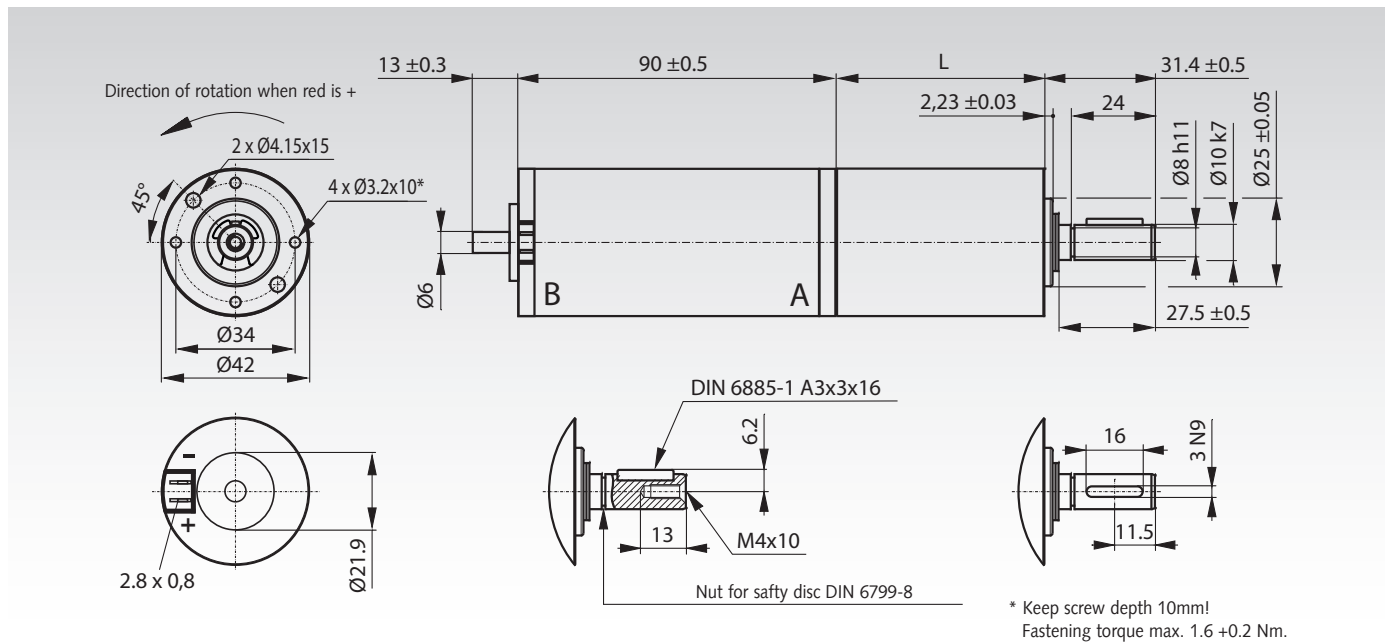
Motor: Brushed DC motor 24 V, interference capacitive.
Change the direction of rotation by switching the polarity.

Protection class acc. to EN 60529: IP 40.

Operating mode as per VDE 0530: S1 at nominal torque
(continuous torque), S2 at higher load.



Ordering Details: e.g.: Product No., Type, idle speed



Product No.	Nominal Voltage V	Idle Speed n_0 min ⁻¹	Nominal Speed n_N min ⁻¹	Nominal Torque M_N Nm	max. Torque M_{max} Nm	max. Current I_{max} A	Gear stages	Ratio i	L mm	Weight g
Size 3										
430 391 24	24	8,5	8	5,0	10,0	0,6	3	422:1	75,3	670
430 392 24	24	16,5	16	6,0	12,0	1,2	3	213:1	75,3	670
430 393 24	24	29	26	6,0	12,0	1,8	3	121:1	75,3	670
430 394 24	24	63	54	4,0	10,0	3,0	2	56:1	59,3	650
430 395 24	24	127	108	2,0	8,0	4,8	2	28:1	59,3	650
430 396 24	24	197	167	1,3	5,1	4,8	2	18:1	59,3	650
430 397 24	24	470	390	0,6	2,3	5,0	1	7,5:1	43,5	620
430 398 24	24	980	811	0,3	1,1	5,0	1	3,6:1	43,5	620

Permissible radial shaft load F_R : Products with 1 gear stage 40 N; with 2 gear stages 65 N; with 3 gear stages 90 N.
Permissible axial shaft load F_A : 40 N.

Note

All values are averages, measured with the motor cold. Deviations of 10% are possible.

To prevent the gearbox from being overloaded, the stated limit loads must not be exceeded.

Other types (other speeds, optional incremental encoder, 12V) available on request.