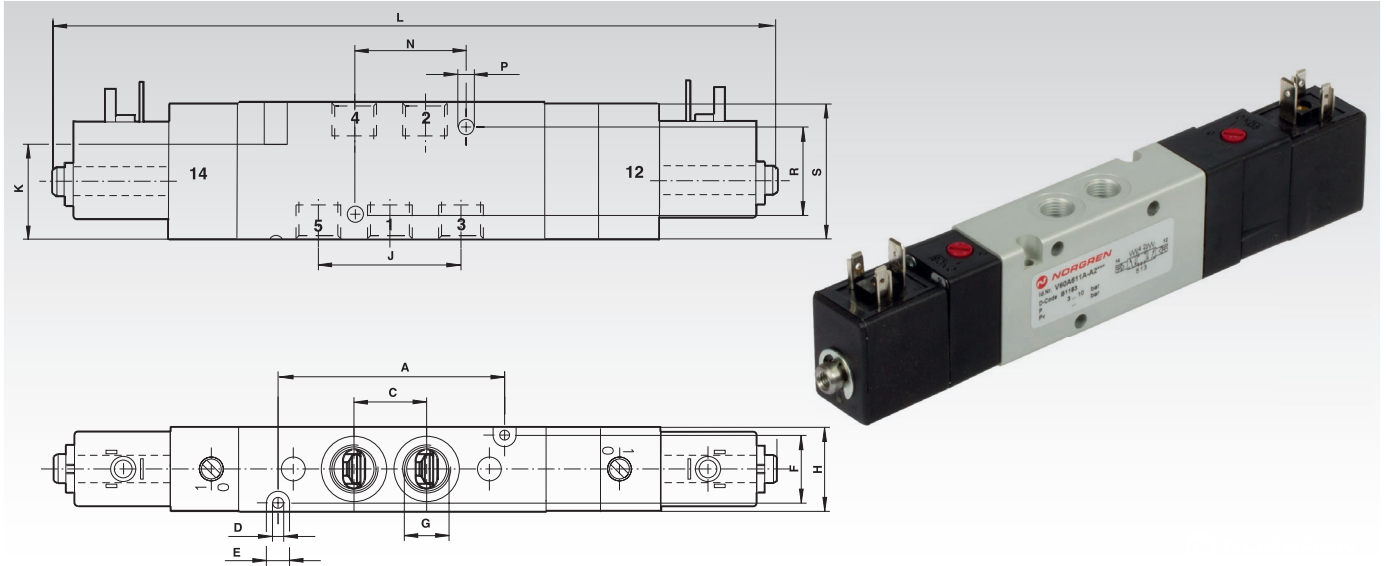


5/3 Solenoid Valves, with twin pilot



Materials:

Housing and base plates: Aluminium, Spindle: Stainless Steel;
Piston, spacers and cover: Plastic; Static and dynamic seals: NBR;
Screws: zinc-plated;
Springs: Stainless Steel.

Standard pilot controls with replaceable solenoid system for all common voltages.

The valves are suitable for lubricated or non-lubricated standard compressed air.

At normal operating conditions the system has a lifespan of 50 million switching cycles.

The valve system (cartridge) is an optimised version of the million-times proven sealing system. Manual override with detent.

Ordering Details: e.g.: Product No. 850 518 11, 5/3 Solenoid Valve, Connecting Thread G 1/8, Voltage 24 V

Product No. Version A	Product No. Version B	Connection	Voltage	Flow (l/min)	Operating pressure (bar)	Weight g	Product No. Socket*	Product No. Spare Solenoid*
850 518 11	850 618 11	G 1/8	24V DC	500	3 - 8	350	858 000 01	858 000 06
850 528 11	850 628 11	G 1/4	24V DC	950	3 - 8	470	858 000 01	858 000 06
850 528 12	850 628 12	G 1/4	230V 50/60Hz	950	3 - 8	470	858 000 01	858 000 07

* See below.

Dim.	A	B	C	D	E	F	G	H	J	K	L	M	N	O	P	R	S	T	U
G 1/8	50	-	16,2	3,2	6,5	17	G 1/8	22	32,4	28	189	-	25	-	4,5	26	35	-	-
G 1/4	66	-	21	3,2	6,5	20	G 1/4	25	42	28	217	-	32	-	4,5	26	40	-	-

Solenoid and Voltage Selection

22 mm solenoid with plug interface according to DIN 43650 Form B.
Solenoid can be turned in steps of 90°.

Voltage: 24V DC $\pm 10\%$.

Solenoid power inrush/holding: 2W.

Voltage: 230V $\pm 10\%$, 50/60Hz.

Solenoid power inrush/holding: 6/5VA.

Duty cycle: 100% ED.

Protection rating: IP 65 with sealed connectors (ISO 6952).

Socket according to DIN 43650, without Cable

Material: Polyamide.
Weight: 20 g.

Product No. _____
858 000 01



Spare Solenoids according to DIN 43650

Weight: 63 g.

Product No. _____ 24 V DC
858 000 06

Product No. _____ 230 V 50/60 Hz
858 000 07

