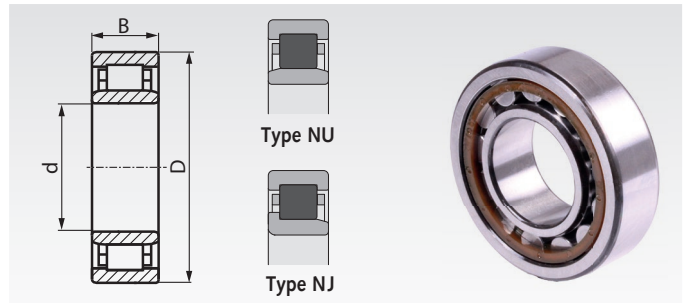


Cylindrical Roller Bearings SKF®, Single Row, inner diameter 15 - 50 mm

Material: Bearing steel.

- Cylindrical roller bearings in premium-quality.
- For high radial load.
- Displaceable in both directions (type NU) or in one direction (Type NJ).
- Usable for high speed, with groove and 3 lubrication holes.
- Easy to mount (the inner ring is loose).



Temperature range: -30°C to +90°C (for short time up to +110°C).

Clearance CN: Normal bearing play. **Clearance C3:** Greater play.

Other versions or sizes on request.

Orderung Details: e.g.: Product No., quantity

Product No. Clearance CN	SKF- Code	Product No. Clearance C3	SKF- Code	Main dimensions			Displaceability of the inner ring	Load radial		s* mm	Speed limit min ⁻¹	Weight g
				d mm	D mm	B mm		dyn.C kN	stat.C ₀ kN			
647 750 01	NU 202 ECP	647 753 01	NU 202 ECP/C3	15	35	11	to both sides	12,5	10,2	1,0	26.000	47
647 750 02	NJ 202 ECP	-	-	15	35	11	to one side	12,5	10,2	1,0	26.000	48
647 750 03	NU 203 ECP	647 753 03	NU 203 ECP/C3	17	40	12	to both sides	17,2	14,3	1,0	22.000	68
647 750 04	NJ 203 ECP	647 753 04	NJ 203 ECP/C3	17	40	12	to one side	17,2	14,3	1,0	22.000	70
647 750 13	NU 204 ECP	647 753 13	NU 204 ECP/C3	20	47	14	to both sides	25,1	22,0	1,0	19.000	110
647 750 14	NJ 204 ECP	647 753 14	NJ 204 ECP/C3	20	47	14	to one side	25,1	22,0	1,0	19.000	110
647 750 28	NU 205 ECP	647 753 28	NU 205 ECP/C3	25	52	15	to both sides	28,6	27,0	1,3	16.000	130
647 750 29	NJ 205 ECP	647 753 29	NJ 205 ECP/C3	25	52	15	to one side	28,6	27,0	1,3	16.000	140
647 750 52	NU 206 ECP	647 753 52	NU 206 ECP/C3	30	62	16	to both sides	44,0	36,5	1,3	14.000	200
647 750 53	NJ 206 ECP	647 753 53	NJ 206 ECP/C3	30	62	16	to one side	44,0	36,5	1,3	14.000	200
647 750 62	NU 207 ECP	647 753 62	NU 207 ECP/C3	35	72	17	to both sides	56,0	48,0	1,3	12.000	290
647 750 63	NJ 207 ECP	647 753 63	NJ 207 ECP/C3	35	72	17	to one side	56,0	48,0	1,3	12.000	300
647 750 78	NU 208 ECP	647 753 78	NU 208 ECP/C3	40	80	18	to both sides	62,0	53,0	1,4	11.000	370
647 750 79	NJ 208 ECP	647 753 79	NJ 208 ECP/C3	40	80	18	to one side	62,0	53,0	1,4	11.000	390
647 750 95	NU 209 ECP	647 753 95	NU 209 ECP/C3	45	85	19	to both sides	69,5	64,0	1,2	9.500	430
647 750 96	NJ 209 ECP	647 753 96	NJ 209 ECP/C3	45	85	19	to one side	69,5	64,0	1,2	9.500	440
647 751 12	NU 210 ECP	647 754 12	NU 210 ECP/C3	50	90	20	to both sides	73,5	69,5	1,5	9.000	480
647 751 13	NJ 210 ECP	647 754 13	NJ 210 ECP/C3	50	90	20	to one side	73,5	69,5	1,5	9.000	490

Supplementary designations:

EC = Optimized internal design.

P = Injection moulded window-type cage of glass fibre reinforced polyamide 66, ball centred.

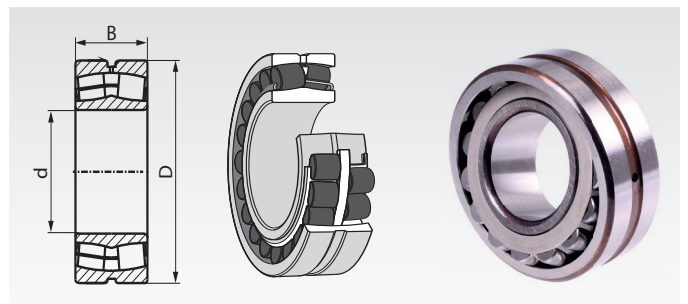
C3 = greater bearing clearance.

* Max. displacement from the middle.

Spherical Roller Bearings SKF®, Double Row, inner diameter 25 - 50 mm

Material: Bearing steel.

- Spherical roller bearings in premium-quality.
- For very high radial load and common high axial load in both directions.
- Usable at angular displacement.
- Usable for high speed, with groove and 3 lubrication holes.



Temperature range: -30°C to +150°C (for short time up to +200°C).

Clearance CN: Normal bearing play. **Clearance C3:** Greater play.

Other versions or sizes on request.

Orderung Details: e.g.: Product No., quantity

Product No. Clearance CN	SKF- Code	Product No. Clearance C3	SKF- Code	Main dimensions			Load rating radial			P _u ** kN	Speed base min ⁻¹	Speed limit min ⁻¹	Weight g
				d mm	D mm	B mm	dyn.C kN	stat.C ₀ kN	α* Grad				
647 760 12	22205 E	647 763 12	22205 E/C3	25	52	18	49,0	44	2	4,75	13.000	17.000	260
647 760 14	22206 E	647 763 14	22206 E/C3	30	62	20	64,0	60	2	6,4	10.000	14.000	290
647 760 16	22207 E	647 763 16	22207 E/C3	35	72	23	86,5	85	2	9,3	9.000	12.000	450
647 760 18	22208 E	647 763 18	22208 E/C3	40	80	23	96,5	90	2	9,8	8.000	11.000	530
647 760 22	22209 E	647 763 22	22209 E/C3	45	85	23	102,0	98	2	10,8	7.500	10.000	580
647 760 28	22210 E	647 763 28	22210 E/C3	50	90	23	104,0	108	2	11,8	7.000	9.500	630

Supplementary designations:

E = Two pressed window-type steel cages, flangeless inner ring and guide ring centred on the inner ring.

C3 = greater bearing clearance.

* Max. disalignment.

** Fatigue load limit.