

Heavy-Duty Rod Ends BR-R with Spherical Bearing DIN 12240-4 Series K, Stainless Steel, Internal Thread

Material rod end: Stainless steel, forged, hardened.
Bearing race superfinished.

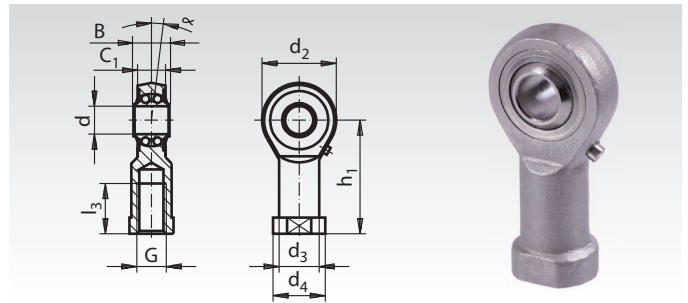


Material inner ring and rollers: Stainless steel, hardened, superfinished.

Lubricant: Aluminium-complex-soap-grease, approval according to NSF H1, -45°C to +120°C. Special grease if required.

Basically without friction, long-term lubrication, sealed with cover plates, offer small dimensions, large pivoting angle and high load rating.

IR = Internal Right-hand thread. **IL** = Internal Left-hand thread.



Ordering Details: e.g.: Product No. 632 994 06, Rod End BR-R, IR

Product No. IR	Product No. IL	d ^{H7} mm	B ^{-0.1} mm	C ₁ mm	d ₂ mm	d ₃ mm	d ₄ mm	h ₁ mm	l ₃ mm	G mm	α °	Load Rating [kN]		Calculation Factors*		Speed n _{max} min ⁻¹	Weight g
												dynam. C	static C ₀	Y	Y ₀		
632 994 06	632 994 56	6	9	6,75	20	10	13	30	12	M6	8	1,9	0,5	2,09	2,19	1350	24
632 994 08	632 994 58	8	12	9	24	12,5	16	36	16	M8	8,5	2,8	0,7	1,8	1,89	1300	44
632 994 10	632 994 60	10	14	10,5	28	15	19	43	20	M10	8	3,1	1,0	1,9	1,81	1225	72
632 994 12	632 994 62	12	16	12	32	17,5	22	50	22	M12	7,5	3,5	1,3	1,74	1,82	1125	107
632 994 16	632 994 66	16	21	15	42	22	27	64	28	M16	8	4,3	1,6	2,24	2,35	975	224
632 994 20	632 994 70	20	25	18	50	27,5	34	77	33	M20x1,5	7	5,4	2,3	2,46	2,58	825	367

* Calculation see page 645.

Heavy-Duty Rod Ends BR with Spherical Bearing DIN 12240-4 Series K, Stainless Steel, External Thread

Material rod end: Stainless steel, forged, hardened.
Bearing race superfinished, thread rolled.

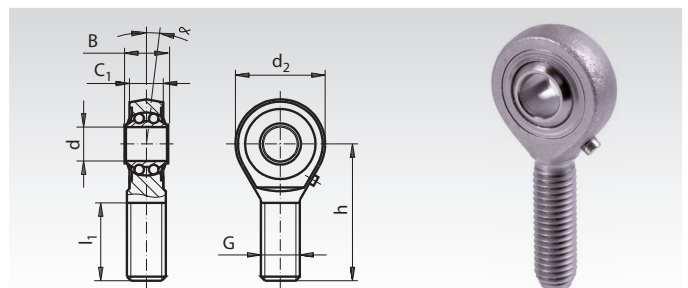


Material inner ring and rollers: Stainless steel, hardened, superfinished

Lubricant: Aluminium-complex-soap-grease, approval according to NSF H1, -45°C to +120°C. Special grease if required.

Basically without friction, long-term lubrication, sealed with cover plates, offer small dimensions, large pivoting angle and high load rating.

AR = External Right-hand thread. **AL** = External Left-hand thread.



Ordering Details: e.g.: Product No. 632 995 06, Rod End BR-R, AR

Product No. AR	Product No. AL	d ^{H7} mm	B ^{-0.1} mm	C ₁ mm	d ₂ mm	h mm	l ₁ mm	G mm	α °	Load Rating [kN]		Calculation Factors*		Speed n _{max} min ⁻¹	Weight g
										dynam. C	static C ₀	Y	Y ₀		
632 995 08	632 995 58	8	12	9	24	42	25	M8	8,5	2,8	0,7	1,8	1,89	1300	36
632 995 10	632 995 60	10	14	10,5	28	48	29	M10	8	3,1	1,0	1,9	1,81	1225	60
632 995 12	632 995 62	12	16	12	32	54	33	M12	7,5	3,5	1,3	1,74	1,82	1125	87
632 995 16	632 995 66	16	21	15	42	66	40	M16	8	4,3	1,6	2,24	2,35	975	190
632 995 20	632 995 70	20	25	18	50	78	47	M20x1,5	7	5,4	2,3	2,46	2,58	825	338

* Calculation see page 645.

Threaded bars with metric thread and Fine thread page 556.
Loctite thread locking and bonding products page 849.