

Planetary Small Gearing Motor SFP with DC Motor, Size 2

Housing: Motor: Steel, zinc-plated. Gearbox: made of plastic.
Can be mounted in any position.

Teeth: Gear set made from plastic.

Bearing: Output side, plain bearing, motor side A, ball bearing.
motor side B, plain bearing

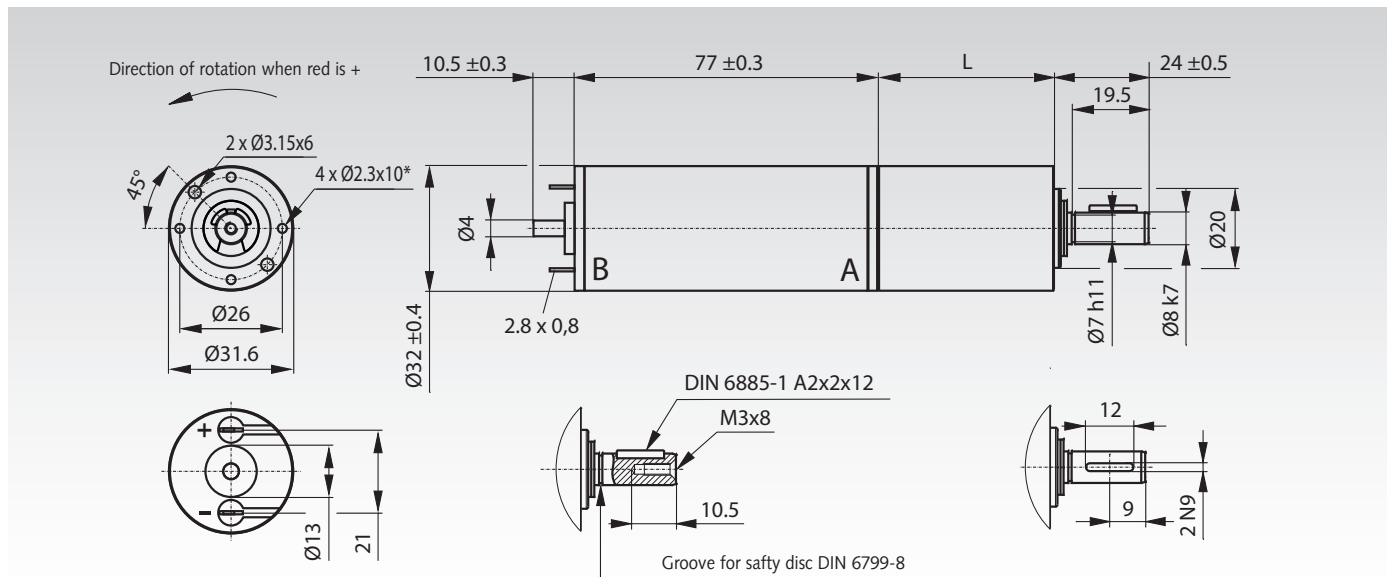
Lubrication: Maintenance free grease lubrication.

Motor: Brushed DC motor 24 V, interference capacitive.
Change the direction of rotation by switching the polarity.
Protection class acc. to EN 60529: IP 40.

Operating mode as per VDE 0530: S1 at nominal torque
(continuous torque), S2 at higher load.



Ordering Details: e.g.: Product No., Type, idle speed



* Keep screw depth 10mm!
Fastening torque max. 60 +2 Ncm.

Product No.	Nominal Voltage V	Idle Speed n_0 min ⁻¹	Nominal Speed n_N min ⁻¹	Nominal Torque M_N Nm	max. Torque M_{max} Nm	max. Current I_{max} A	Gear stages	Ratio i	L mm	Weight g
Size 2										
430 381 24	24	8	8	2,00	4,00	0,4	3	422:1	56,6	320
430 382 24	24	16	16	2,00	4,00	0,5	3	213:1	56,6	320
430 383 24	24	30	28	1,50	4,00	0,7	3	121:1	56,6	320
430 384 24	24	65	60	0,80	2,00	0,7	2	56:1	44,55	310
430 385 24	24	128	119	0,40	2,00	1,3	2	28:1	44,55	310
430 386 24	24	200	186	0,25	1,55	1,5	2	18:1	44,55	310
430 387 24	24	480	440	0,12	0,70	1,6	1	7,5:1	32,6	300
430 388 24	24	1000	923	0,055	0,35	1,7	1	3,6:1	32,6	300

Permissible radial shaft load F_R : Products with 1 gear stage 30 N; with 2 gear stages 55 N; with 3 gear stages 80 N.
Permissible axial shaft load F_A : 35 N.

Note

All values are averages, measured with the motor cold. Deviations of 10% are possible.

To prevent the gearbox from being overloaded, the stated limit loads must not be exceeded.

Other types (other speeds, optional incremental encoder, 12V) available on request.