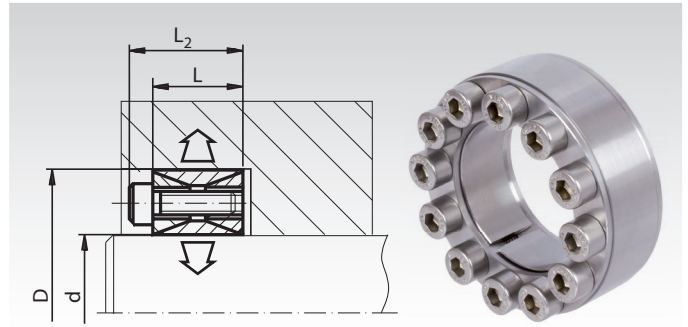


## Locking Assemblies COM-A, Stainless

**Material:** Stainless steel 1.4401 (SS316).



- For fixing a hub (e.g. V-belt pulley or similar) on a shaft.
- For low torques.
- Not self-centering.
- Self-releasing at dismounting.
- No axial movement during mounting.



**Ordering Details:** e.g.: Product No. 615 995 14, Locking Assembly COM-A, stainless, 14 mm

Product No.	d mm	D mm	L mm	L <sub>2</sub> mm	T Nm	F <sub>ax</sub> kN	P <sub>w</sub> N/mm <sup>2</sup>	P <sub>N</sub> N/mm <sup>2</sup>	Screws A2-70 Number x Size	T <sub>A</sub> Nm	Weight kg
615 995 14	14	42	20	26	95	14	154	51	8 x M6	8	0,18
615 995 15	15	42	20	26	105	14	148	53	8 x M6	8	0,18
615 995 16	16	44	20	26	110	14	135	53	8 x M6	8	0,18
615 995 17	17	44	20	26	115	14	125	49	8 x M6	8	0,18
615 995 18	18	47	20	26	120	13	102	43	8 x M6	8	0,22
615 995 19	19	47	20	26	145	15	119	50	8 x M6	8	0,22
615 995 20	20	47	20	26	155	16	124	52	8 x M6	8	0,21
615 995 22	22	47	20	26	155	16	107	48	8 x M6	8	0,21
615 995 24	24	50	20	26	200	17	114	54	8 x M6	8	0,22
615 995 25	25	50	20	26	215	17	108	54	8 x M6	8	0,22
615 995 28	28	55	20	26	275	19	110	55	10 x M6	8	0,27
615 995 30	30	55	20	26	275	19	97	52	10 x M6	8	0,25
615 995 32	32	60	20	26	370	23	112	60	12 x M6	8	0,30
615 995 35	35	60	20	26	410	23	104	60	12 x M6	8	0,29
615 995 38	38	65	20	26	500	26	107	62	14 x M6	8	0,33
615 995 40	40	65	20	26	520	26	101	61	14 x M6	8	0,32
615 995 45	45	75	24	32	825	37	105	62	12 x M8	18	0,53
615 995 50	50	80	24	32	890	36	95	57	12 x M8	18	0,56

T = transmittable torque at F<sub>ax</sub> = 0.

F<sub>ax</sub> = transmittable axial force at T = 0.

P<sub>w</sub> = surface pressure onto the shaft.

P<sub>N</sub> = surface pressure onto the hub.

T<sub>A</sub> = fastening torque of the screws.

### Fit

Shaft h8, Hub H8.  
Surface roughness max. 16µm.

### Mounting

Slightly oil the locking assembly before mounting, do not use molybdenum disulphide or grease. Tighten the screws evenly and crosswise in several steps.

### Demounting

Due to the cone angle, the locking assembly is usually released once all screws have been fully unfastened. There are three large auxiliary threads cut into the front ring, which serve to remove this ring.